



CPD-10FE/CPD-15FE/CPD-20FE 4-Wheel Electric Forklift 1.0-2.0t

Fit Actual Needs and Costs Effectively

MISCELLANEOUS

Performance

- The AC system offers strong power, accurate control and excellent performance.
- High strength structure provides reliable uptime.
- Casting counterweight and strong structure
- Quality connector and durable electric wires greatly reduce malfunctions of components



Display

- Safety hydraulic design prevents mast from falling down abruptly when oil pipes cutoff.
- Multi functional display.
- Ergonomic tiller bounded with key switch, BDI and trouble shooting indicator enhances easy and accurate operation.



Seat:

- Comfortable seat with belt, make driver comfortable and safe
- Lithium battery is optional.



Lights:

- Standard with Led lights.
- Standard with front and rear lights



Operation:

- All functions is controlled by joysticks.
- Forklift attachmenta are optional

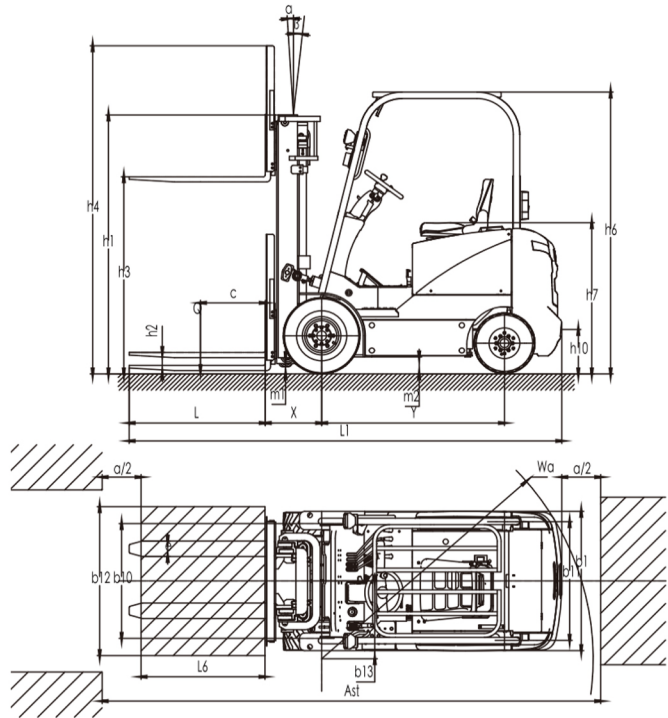
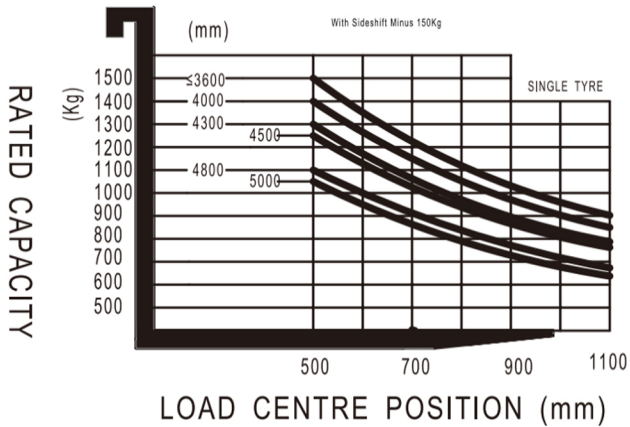
MISCELLANEOUS

Electric Forklift 1.0-2.0t

CPD-10FE/CPD-15FE/CPD-20FE

| Distinguishing mark | | | | | | |
|--|---|--------------------|------|----------------------|----------------------|----------------------|
| 1.1 | Manufacturer | | | WELIFTRICH | WELIFTRICH | WELIFTRICH |
| 1.2 | Model | | | CPD-10FE | CPD-15FE | CPD-20FE |
| 1.3 | Drive unit | | | Electric | Electric | Electric |
| 1.4 | Type of operation | | | Seated | Seated | Seated |
| 1.5 | Rated capacity | Q | kg | 1000 | 1500 | 2000 |
| 1.6 | Load center distance | c | mm | 500 | 500 | 500 |
| 1.7 | Load distance, centre of drive axle to fork | x | mm | 385 | 410 | 430 |
| 1.8 | Wheelbase | y | mm | 1100 | 1320 | 1580 |
| Weight | | | | | | |
| 2.1 | Service weight (include battery) | | kg | 1800 | 2288 | 2710 |
| 2.2 | Axle loading, laden driving side/loading side | | kg | 2920/400 | 3520/450 | 4490/560 |
| 2.3 | Axle loading, unladen driving side/loading side | | kg | 1050/1200 | 1200/1400 | 1250/1900 |
| Types, Chassis | | | | | | |
| 3.1 | Tyre type driving wheels/loading wheels | | | solid tyre | solid tyre | pneumatic tyre |
| 3.2 | Tyre type driving wheels (diameter x width) | | | 6.0-10-10PR | 6.0-10-10PR | 6.2-10-10PR |
| 3.3 | Tyre type loading wheels (diameter x width) | | | 5.00-8-10PR | 5.00-8-10PR | 5.00-8-10PR |
| 3.5 | Wheels, number driving, caster/loading (x= drive wheel) | | | 2x/2 | 2x/2 | 2x/2 |
| 3.6 | Tread, Driving wheels | | | 890 | 890 | 890 |
| 3.7 | Tread, Steering wheels | | | 890 | 920 | 920 |
| Dimensions | | | | | | |
| 4.1 | Lifting height | h3 | mm | 3000 | 3000 | 3000 |
| 4.2 | Height, mast lowered | h1 | mm | 2050 | 2050 | 2050 |
| 4.3 | Heightm, mast extended | h4 | mm | 3800 | 3800 | 3800 |
| 4.4 | Free lift | h2 | mm | 0 | 0 | 0 |
| 4.5 | Height of overhead guard (cabin) | h6 | mm | 1950 | 1950 | 1950 |
| 4.6 | Seat height | h7 | mm | 1160 | 1160 | 1160 |
| 4.7 | Overall length | l1 | mm | 2635 | 3010 | 3450 |
| 4.8 | Length to face of forks | l2 | mm | 1680 | 1900 | 2340 |
| 4.9 | Overall width | b1/b2 | mm | 1020 | 1020 | 1160 |
| 4.1 | Fork dimensions | l/e/s | mm | 920x100x35 | 1070x100x35 | 1070x100x35 |
| 4.11 | Fork carriage width | b3 | mm | 1085 | 1085 | 1085 |
| 4.12 | Fork carriage type A/B | b5 | mm | 2A | 2A | 2A |
| 4.13 | Ground clearance, center of wheelbase | m2 | mm | 90 | 90 | 90 |
| 4.14 | Aisle width for pallet 1000x1200 crossways | AST | mm | 3050 | 3300 | 3980 |
| 4.15 | Aisle width for pallet 800x1200 crossways | AST | mm | 3150 | 3450 | 4100 |
| 4.16 | Turning radius | Wa | mm | 1690 | 1915 | 2260 |
| 4.17 | Tilt of mast/fork forwarder/backward | α/β (°) | | 6/12 | 6/12 | 6/12 |
| Performance data | | | | | | |
| 5.1 | Travel speed, laden/unladen | | km/h | 10/11 | 10/11 | 10/11 |
| 5.2 | Lifting speed, laden/unladen | | mm/s | 200/280 | 200/280 | 280/340 |
| 5.3 | Lowered speed, laden/unladen | | mm/s | 300/250 | 300/250 | 300/250 |
| 5.4 | Gradeability, laden/unladen | | % | 12/15 ① | 12/15 ① | 12/15 ① |
| 5.5 | Service brake type | | | Hydraulic+Mechanical | Hydraulic+Mechanical | Hydraulic+Mechanical |
| | | | | Mechanical | Mechanical | Mechanical |
| Electric-engine | | | | | | |
| 6.1 | Driving motor | | kw | 4 | 4 | 5.5 |
| 6.2 | Lifting motor | | kw | 4 | 4 | 5.5 |
| 6.3 | Battery voltage/volume | | V/Ah | 48/150 | 48/240 | 48/240 |
| 6.4 | Battery weight | | kg | | | |
| Additional data | | | | | | |
| 7.1 | Type of drive unit | | | AC | AC | AC |
| 7.2 | Steering type | | | | | |
| 1. The parameters in the table are of the standard model. For more information, please contact us. | | | | | | |
| 2. The parameters are subject to change without notice. | | | | | | |
| ① This partameter is only representative of the vehicle climbing performance, acutually depends on the ramp and through the left ramp angle design | | | | | | |

MISCELLANEOUS



Mast Option

| Mast types | Lifting h3(mm) | Lowered mast height h1(mm) | Free lift h2 (mm) | Extended mast height h4(mm) |
|------------|----------------|----------------------------|-------------------|-----------------------------|
| Duplex | 3500 | 2250 | 0 | 4300 |
| | 4000 | 2550 | 0 | 4900 |
| Triplex | 4000 | 1950 | 0 | 5200 |
| | 4500 | 2050 | | 5550* |
| | 5000 | 2250 | 0 | 6050 |
| | 5500 | 2390 | 0 | 6550 |

